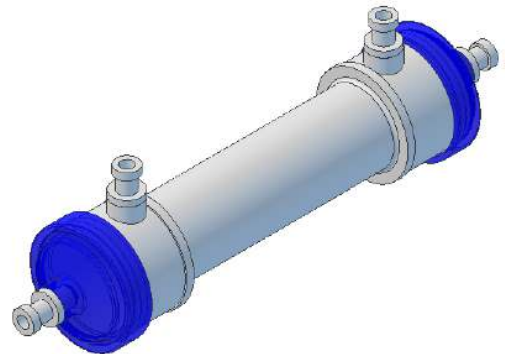
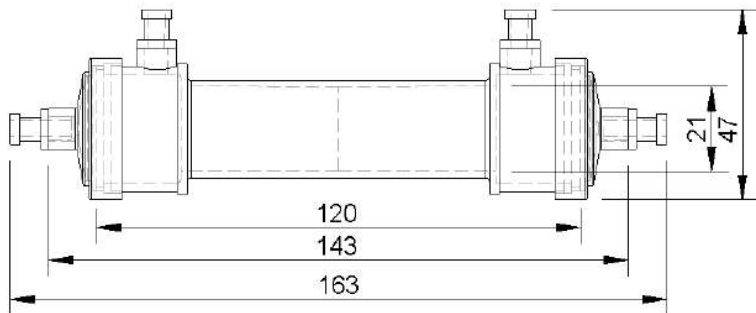


Hollow Fiber Oxygenator, Medium, PMP (sterile)

KDA0046-S



Membrane

Membrane material: Polymethylpentene, PMP
Geometry (ID/OD): 200µm/ 380µm

Housing

Material of housing: Polycarbonate
Dimensions: see drawing
ICS Connectors: 2 x female luer connectors (polycarbonate)
ECS Connectors: 2 x female luer connectors (polycarbonate)
Potting material: Polyurethane

Module

Number of fibres: 1570 +/- 80
Package density: approx 50%
Active fibre length: 100 +/- 5 mm
Inner | Outer fibre surface: 1000 (+/- 50 cm²) | 1900 (+/- 100 cm²)
Intracapillary volume: approx 6 ml
Extracapillary volume: approx 17 ml
Max operating pressure: 1.5 bar

Miscellaneous

Quality control: 100% integrity tested (housing and fibre)
Sterility: Sterile, Gamma irradiated

Cautions

Storage: dry, 5—40°C
Usage: Single use, do not autoclave

