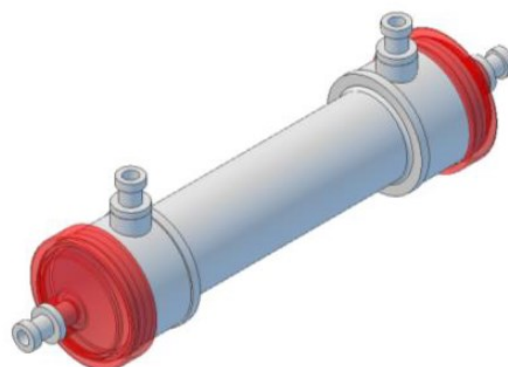
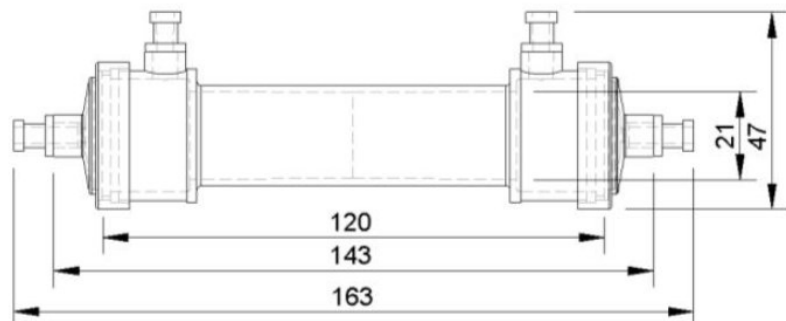


# Hollow fiber cartridge 5 kDa (non-sterile)

KDA0031 LARGE SIZE



## Membrane

Membrane material:	High flux polysulfone, hydrophilic
Geometry (ID/OD):	200µm/ 280µm
MWCO / pore size:	5 kDa (50% retention at rated MW, full retention of 20 kDa protein)

## Housing

Material of housing:	Polycarbonate
Dimensions:	see drawing
ICS Connectors:	2 x Female Luer (polycarbonate)
ECS Connectors:	2 x Female Luer (polycarbonate)
Potting material:	Polyurethane

## Module

Number of fibers:	2850 +/- 100
Package density:	~ 50%
Active fibre length:	100 +/- 3mm
Inner   Outer fibre surface:	1800 cm <sup>2</sup>   2500 cm <sup>2</sup> (+/- 20 cm <sup>2</sup> )
Intracapillary volume:	10.5 ml
Extracapillary volume:	17.5 ml
Pressure tested:	1.5 bar

## Miscellaneous

Quality control:	100% integrity tested (housing and fiber)
Sterility:	Non-sterile (for sterile version please enquire)

## Cautions

Storage:	dry, 5—40°C
Usage:	Single use, do not autoclave